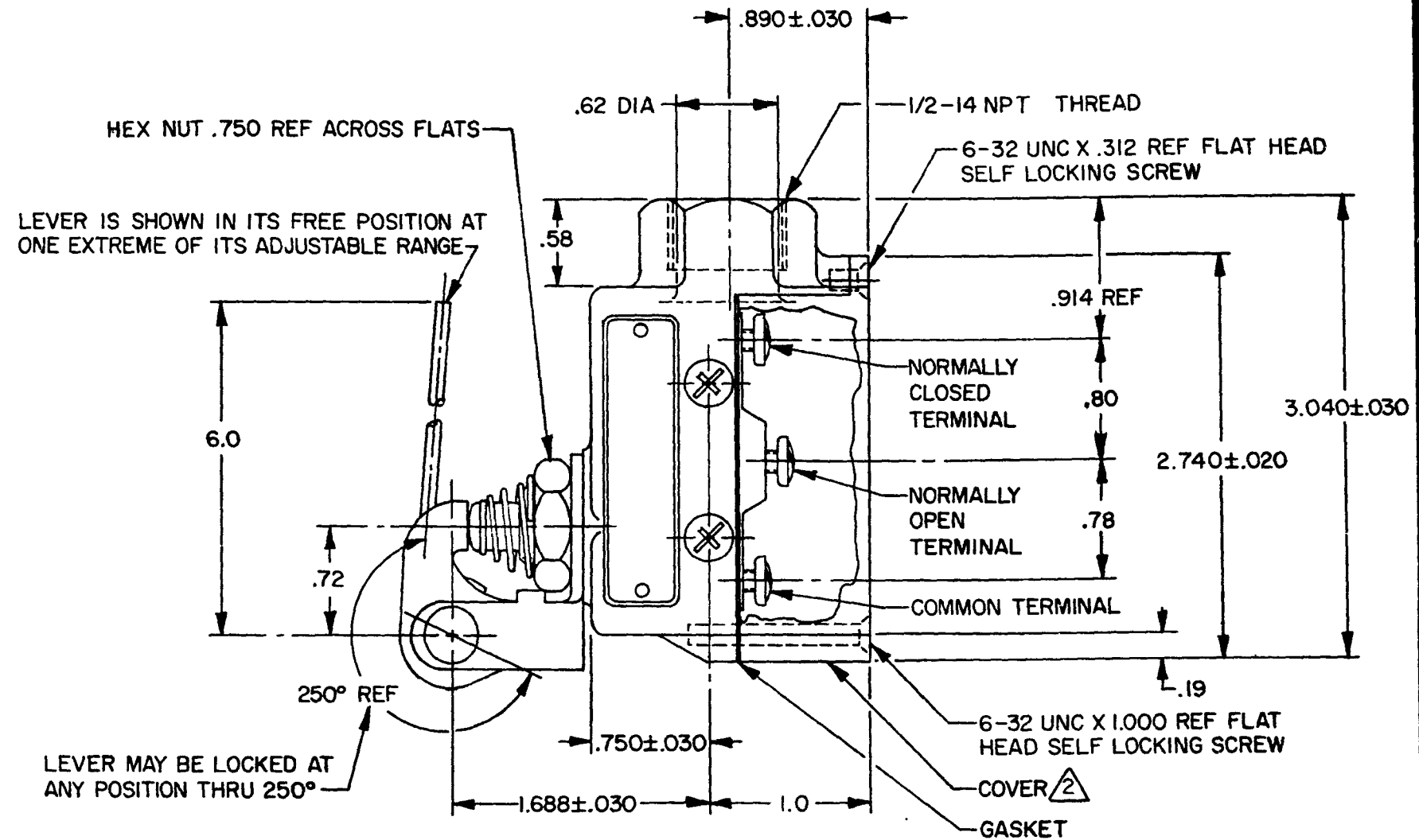
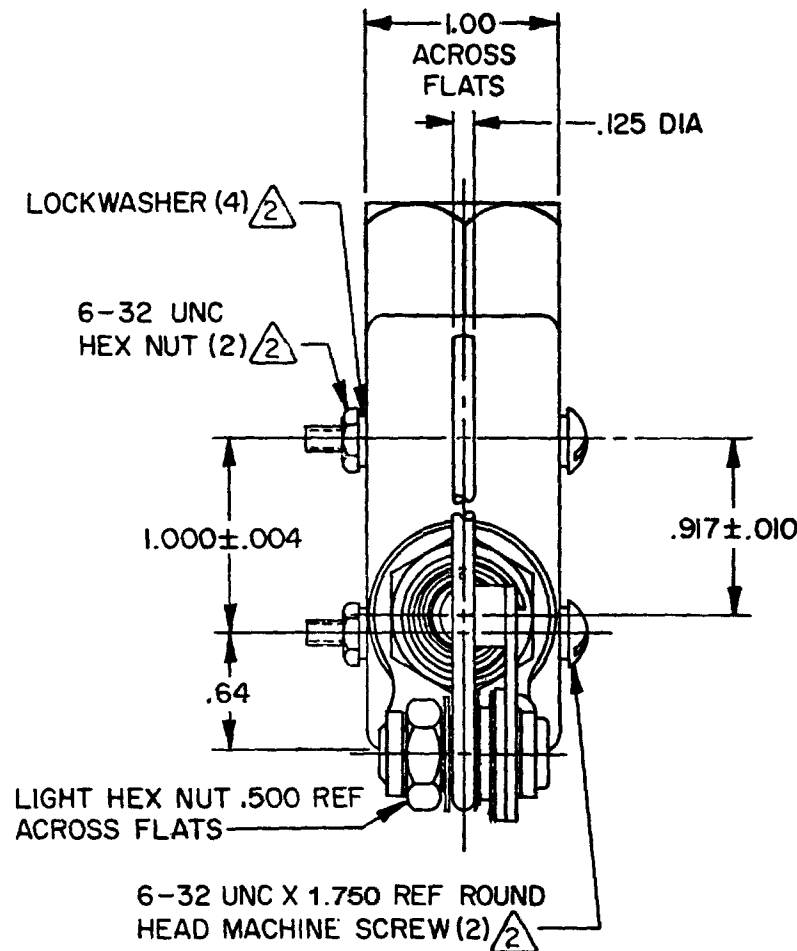


MICRO SWITCH
 FREEPORT, ILLINOIS, U.S.A.
 A DIVISION OF HONEYWELL
 FED. MFG. CODE 91929

SWITCH-ENCLOSED

CATALOG LISTING
BZE6-2RQ62

BZE6-2RQ62
 REPLACES
M
 DRAWING NUMBER
 ISSUE 148
 29AUG07
 PSR
 CHECK
 REVISIONS
 A CO 38200-B
 T M M 26 AUG 77
 B C05319-G
 C J H MAY 84
 C C055989
 J A S 6 NOV 84
 D C054958
 T S K 26 FEB 85
 E C072618
 L J F 11 SEP 92
 F C077889
 K E U 20 SEP 94
 G 0016894
 K R B 10 NOV 05
 H 0033014
 B S 29AUG07
 CHECK K P K 31 AUG 77
 CHECK
 DRAWN
 T M M 25 AUG 77
 RASTER FO-52851-A



NOTES-

- 1 - 6-32 UNC X .219 REF BINDING HEAD TERMINAL SCREW AND CUPWASHER (3)
- ② FURNISHED UNASSEMBLED
- 3 - LEVER BRACKET ASSEMBLY MAY BE SET AT ANY ONE OF EIGHT POSITIONS SPACED 45° APART
- 4 - SEAL RATING: NEMA1 IP40

THIS DRAWING COVERS A PROPRIETARY ITEM AND IS THE PROPERTY OF MICRO SWITCH, A DIVISION OF HONEYWELL. THIS DRAWING IS NOT TO BE COPIED OR USED WITHOUT THE APPROVAL OF MICRO SWITCH.

CHARACTERISTICS	ELECTRICAL DATA	SCALE FULL
OPERATING FORCE ——— 2-5 OZ	CONTACT ARRANGEMENT S P D T	DO NOT SCALE PRINT
RELEASE FORCE ——— 2 OZ MIN	15A-125, 250 OR 480 VAC, 2A-600 VAC	UNLESS OTHERWISE NOTED
PRETRAVEL ——— .718 MAX	1/8 HP-125 VAC; 1/4 HP-250 VAC	DIMENSIONS ARE IN INCHES
DIFFERENTIAL TRAVEL — .229 MAX	1/2A-125 VDC; 1/4A-250 VDC	TOLERANCES ARE:
OVERTRAVEL ——— .838 MIN	CODE L74	ONE PLACE (.0) ± .030
BASIC SWITCH REPLACEMENT — BZ-2RQ68	CE 1.5A, 240 Vac	TWO PLACE (.00) ± .015
		THREE PLACE (.000) ± .005
		ANGLES ± .005
		WEIGHT .70 LB